

THIS DRAWING IS UNPUBLISHED.

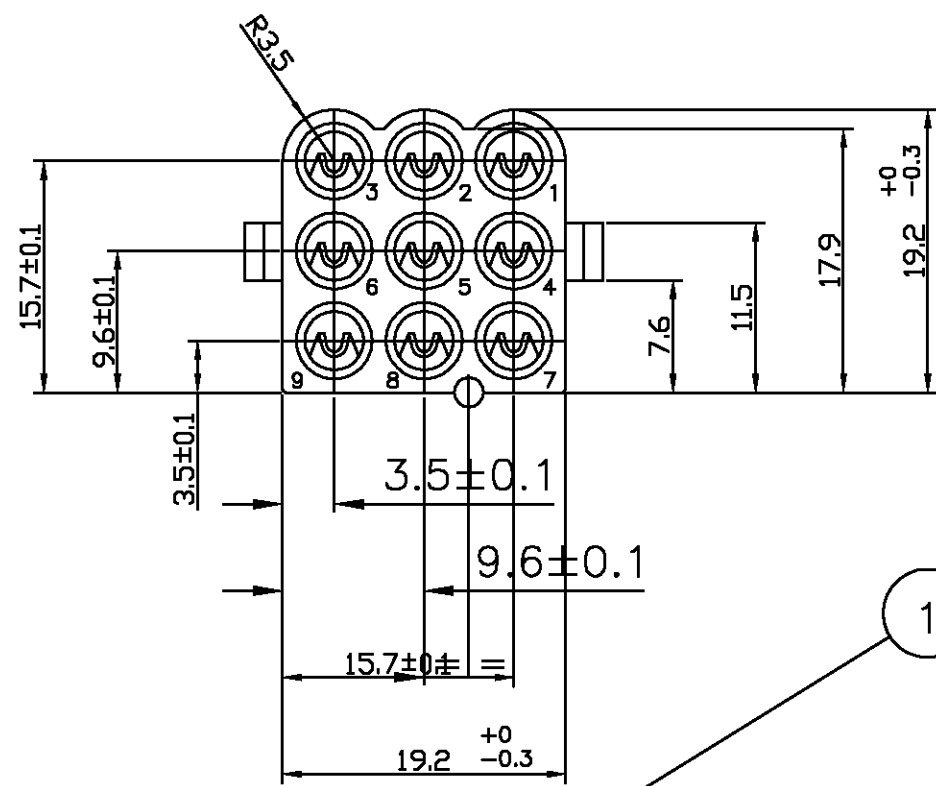
RELEASED FOR PUBLICATION

© COPYRIGHT BY ALL RIGHTS RESERVED.

LOC Z DIST 00

REVISIONS

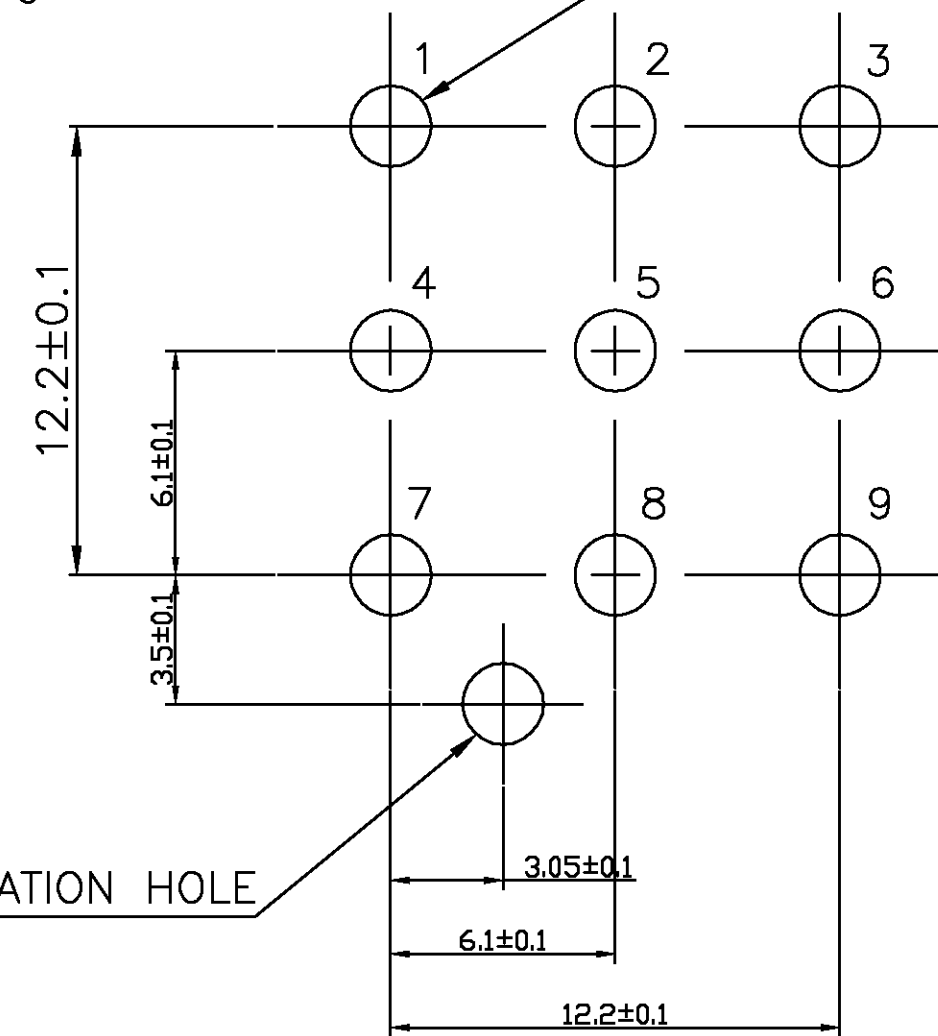
P	LTR	DESCRIPTION	DATE	DWN	APVD
B1		REVISED PER ECO-11-005150	28MAR11	RK	HMR



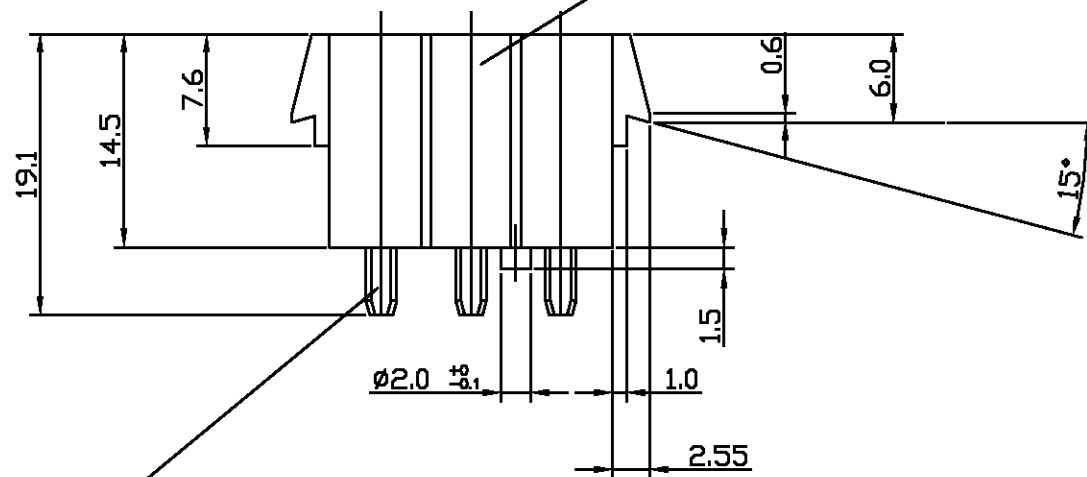
FINALIZED HOLE  $\phi 2.2^{+0.1}_0$  AMOUNT 9+1

MATES WITH 1-480673-0 PCB PATTERN.

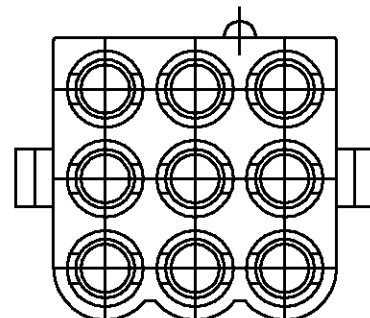
SCALE 5:1



POLARIZATION HOLE



2



365046-1	9	PCB SOCKET	Cu Sn PRETIN.	926915-1
	1	REC.HOUSING	PA 6.6 NAT	927011-1
PART NO.	AMOUNT	FINISH	MATERIAL	PARTNUMBER

THIS DRAWING IS A CONTROLLED DOCUMENT.

DWN Klaus Eichwald 11FEB99

CHK -

APVD -

PRODUCT SPEC -

APPLICATION SPEC -

WEIGHT -

CUSTOMER DRAWING

TE Connectivity

9-Pos. Rec. Header 9x ±3.5 mm Pcb. Socket Assy.

SIZE A3 CAGE CODE 00779 DRAWING NO ©=365046 RESTRICTED TO -

SCALE 1:1 SHEET 1 OF 1 REV B1